
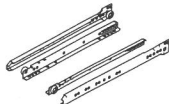

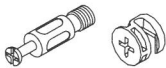
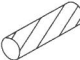









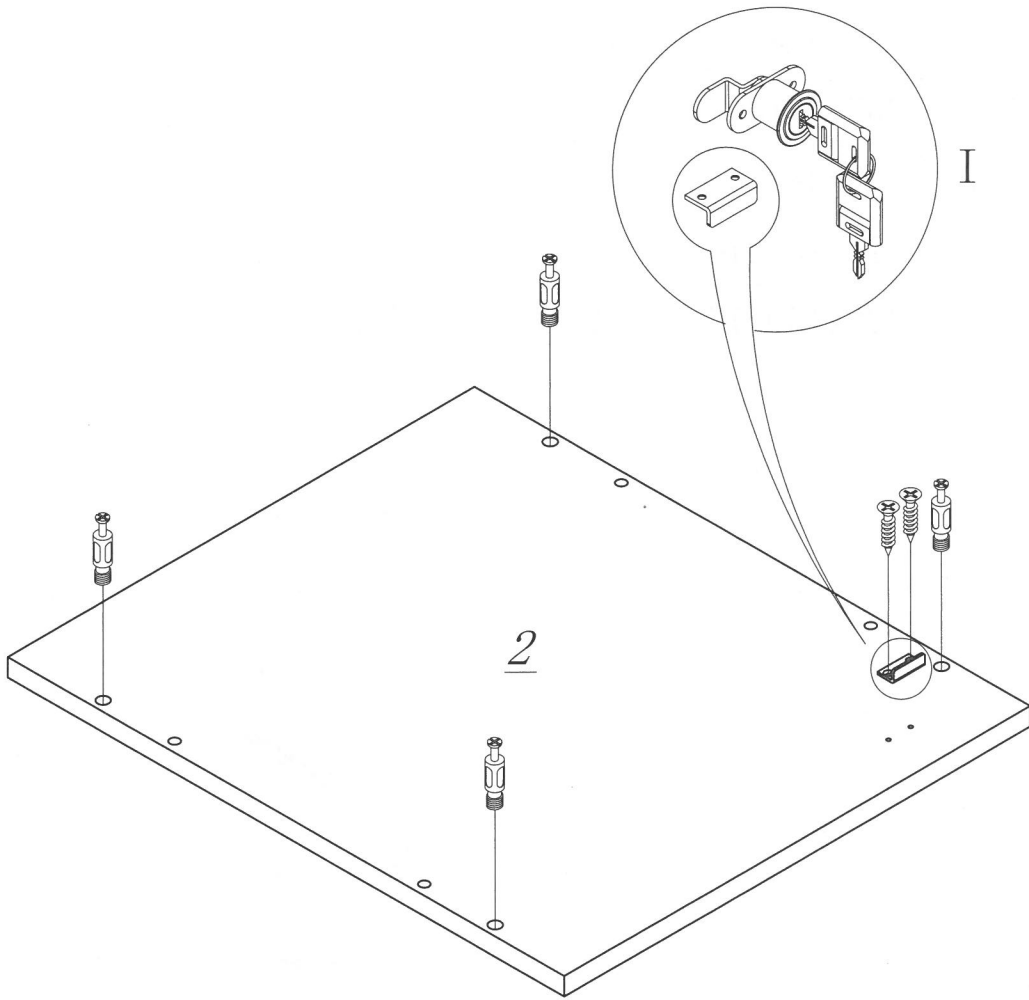


NO.	CTN. NO.	SIZE	QTY
<u>1</u>	1-1	440x482x16	2
<u>2</u>	1-1	420x500x16	1
<u>3</u>	1-1	420x479x16	1
<u>4</u>	1-1	440x386x16	1
<u>5</u>	1-1	384x99x16	6
<u>6</u>	1-1	360.5x100x16	3
<u>7</u>	1-1	338x394x3	3
<u>8</u>	1-1	420x150x16	1
<u>9</u>	1-1	420x150x16	2

					
A	ST4*14	20pcs	K	16"	3pair
					
B	ST4*35	12pcs			
					
C	L=25mm	16pcs			
					
D	φ8*30	12pcs			
					
E	M7*38	4pcs			
					
F	M6.5*10	24pcs			
					
G	M4*25	6pcs			
					
H	96mm	3pcs			
					
I	φ18	1set			
					
J	H=55mm	4pcs			


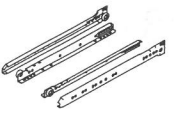
1:

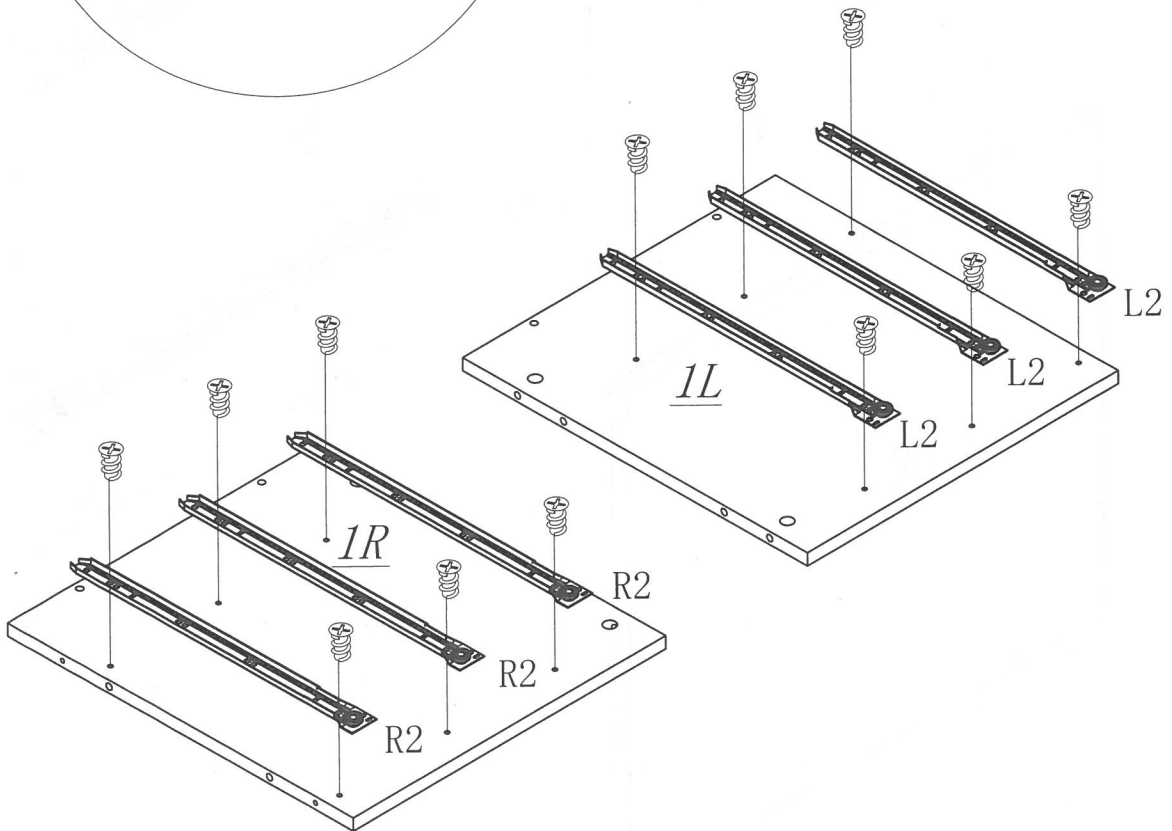
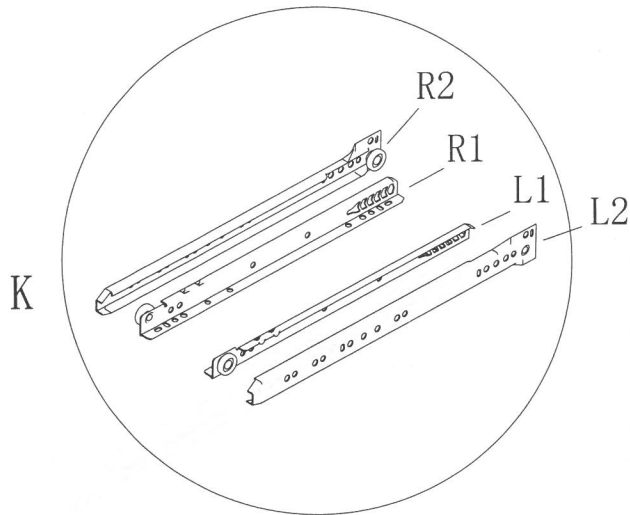
							
C	L=25mm 4pcs	I	Ø18	1set	A	ST4*14	2pcs



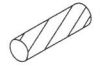
3

2:

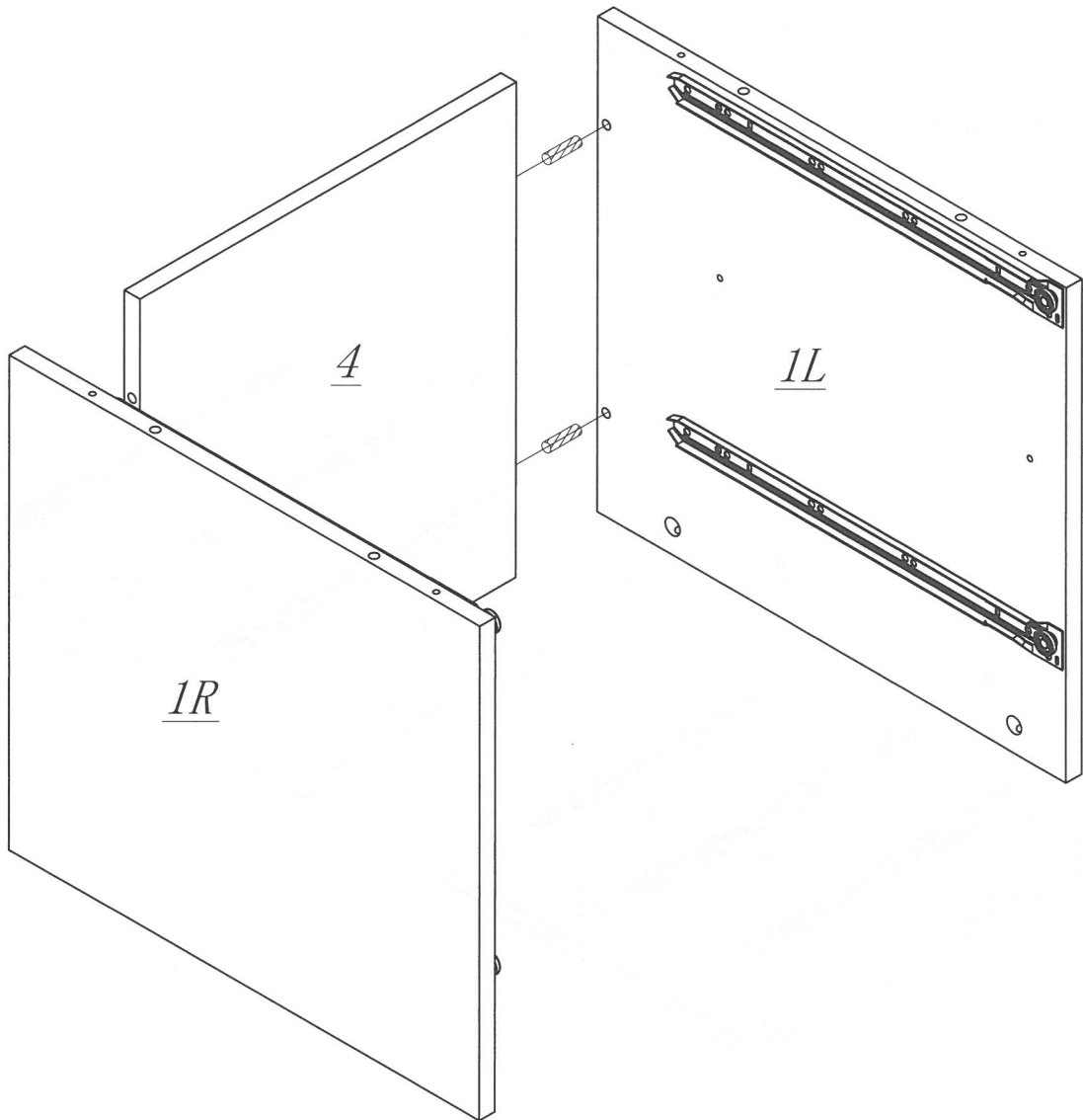
					
F	M6.5*10	12pcs	K	16"	3pair




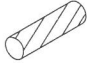



3:

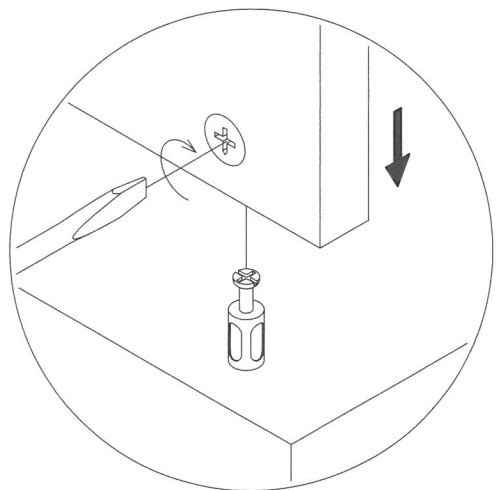
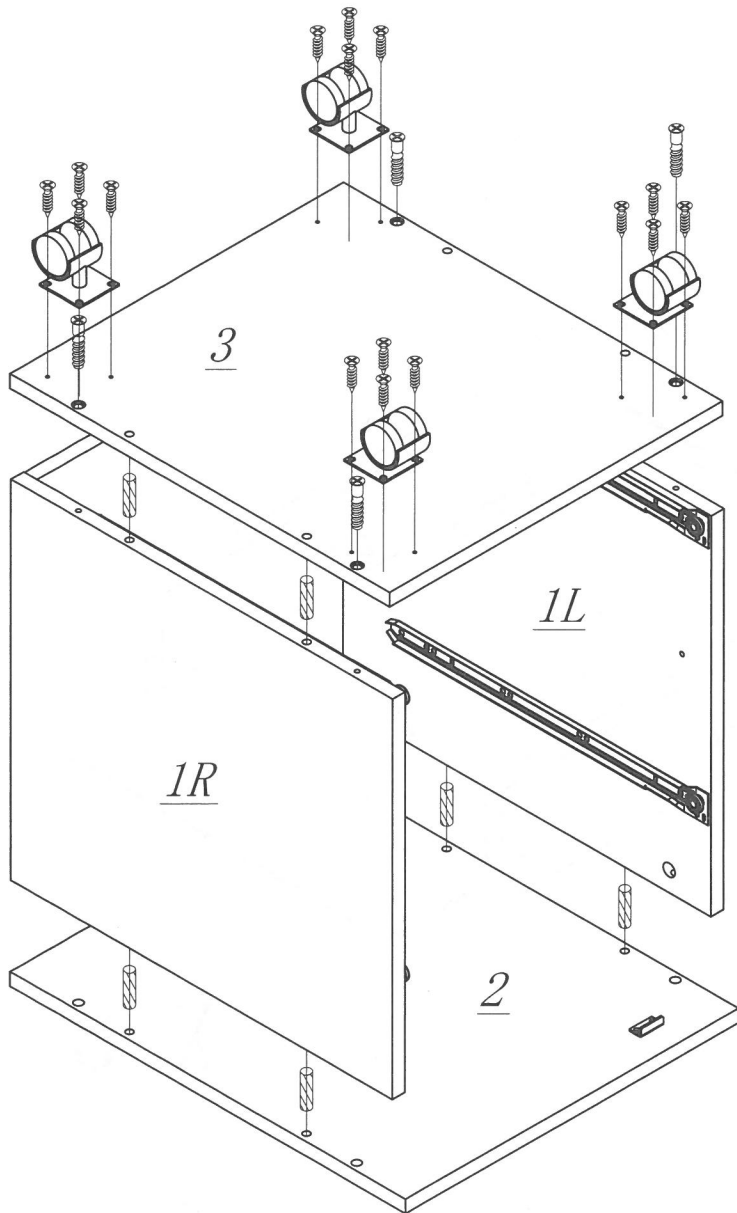


D	∅8*30	4pcs
---	-------	------




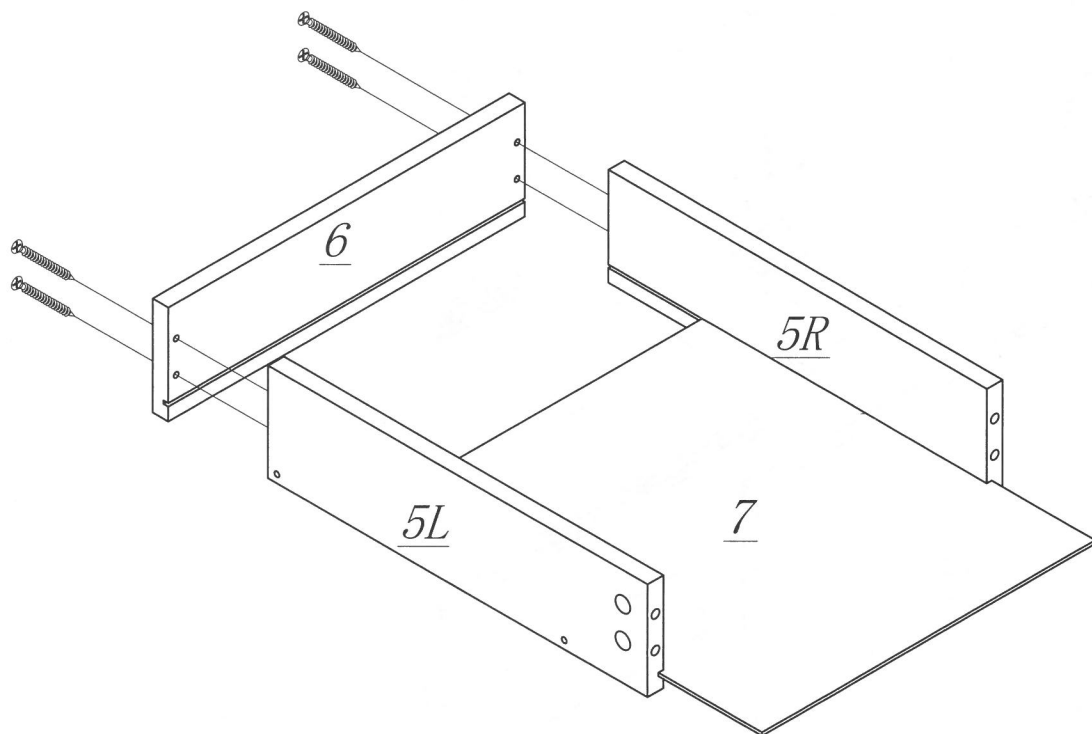
4:

								
C	L=25mm	4pcs	D	∅8*30	8pcs	E	M7*38	4pcs
								
						A	ST4*14	16pcs
								
						J	H=55mm	4pcs








5:

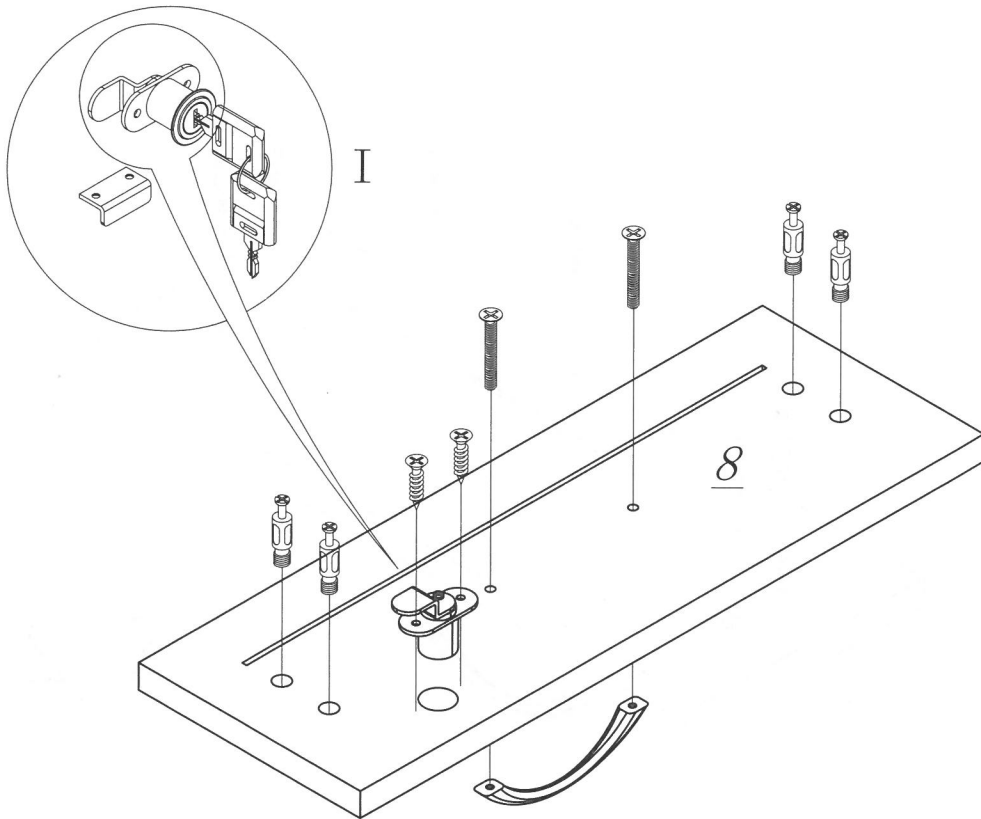
		
B	ST4*35	12pcs






X 3

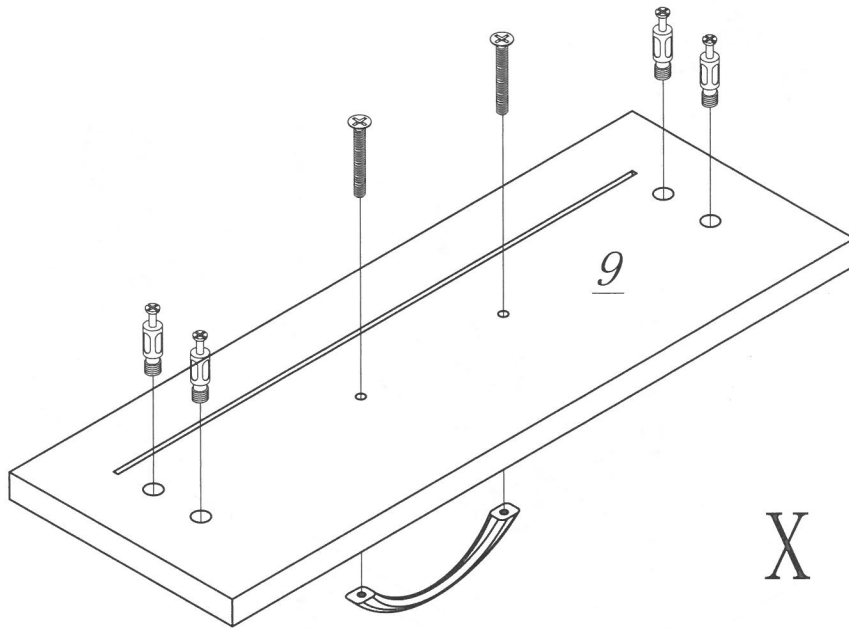
6:

								
C	L=25mm	4pcs	I	∅18	1set	A	ST4*14	2pcs
								
						G	M4*25	2pcs
								
						H	96mm	1pcs



7:

								
C	L=25mm	8pcs	G	M4*25	4pcs	H	96mm	2pcs

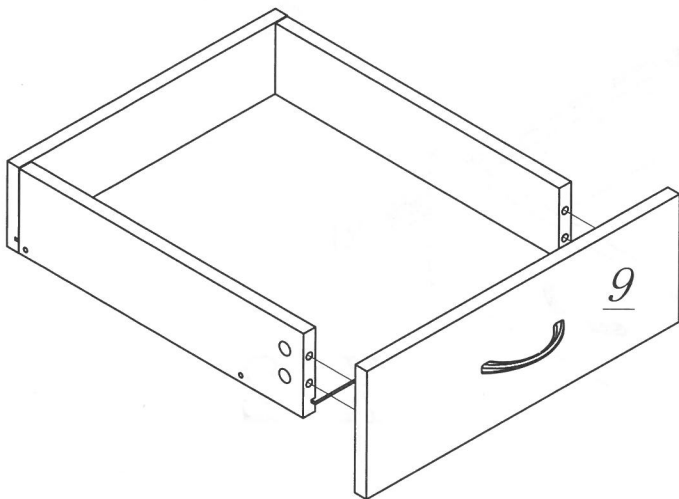
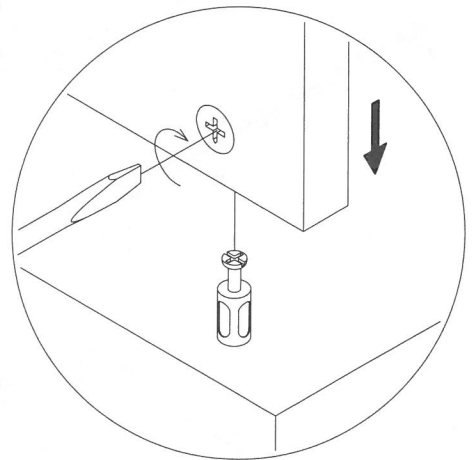
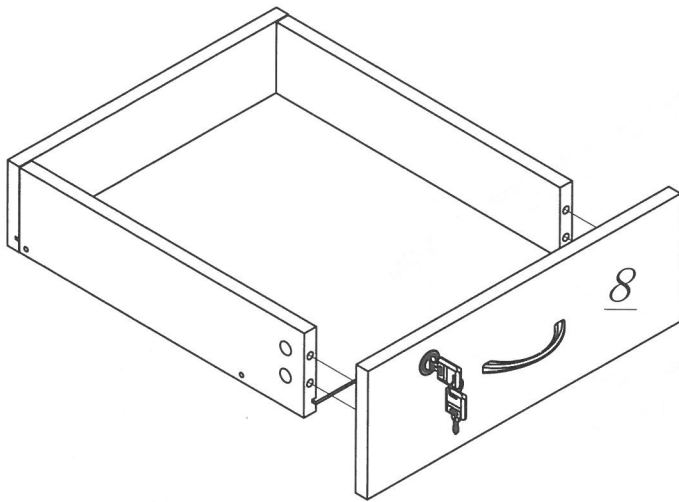


X 2

8:


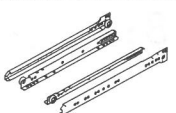


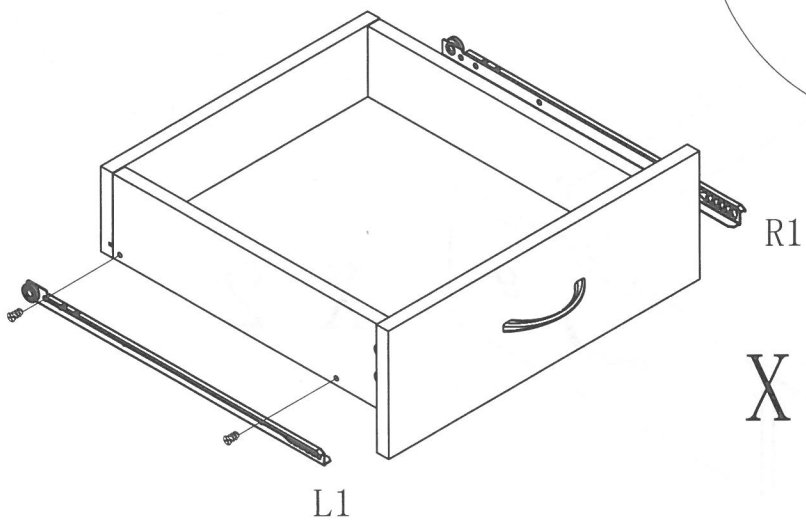
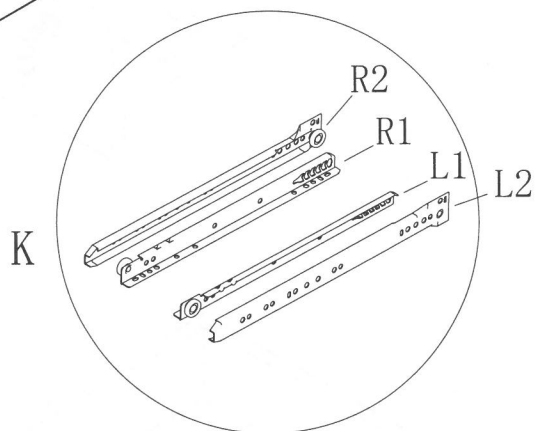
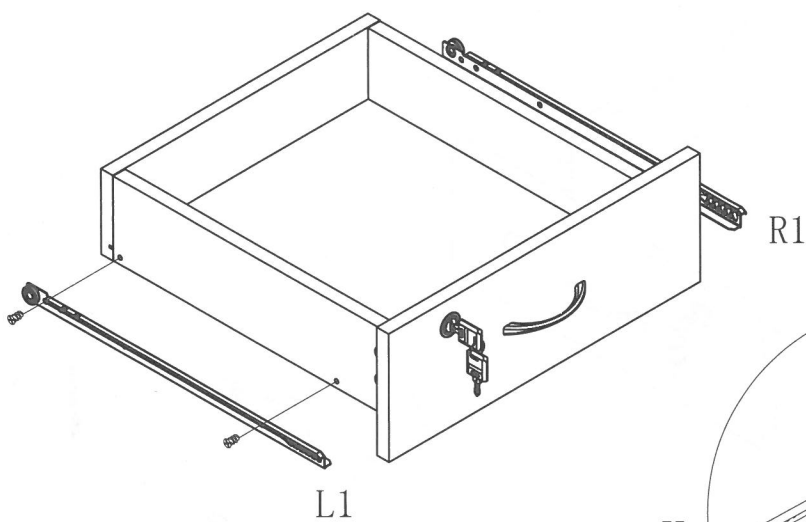
C	L=25mm	12pcs
---	--------	-------



X 2

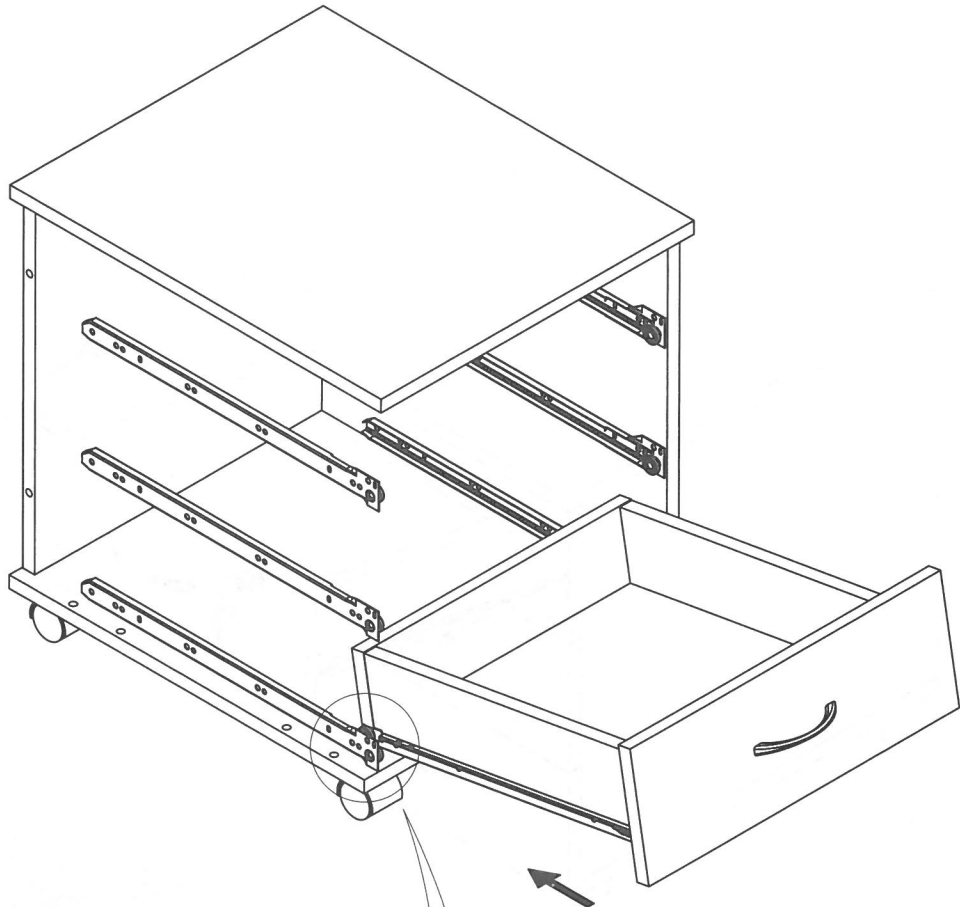
9:

					
F	M6. 5*10	12pcs	K	16"	3pair



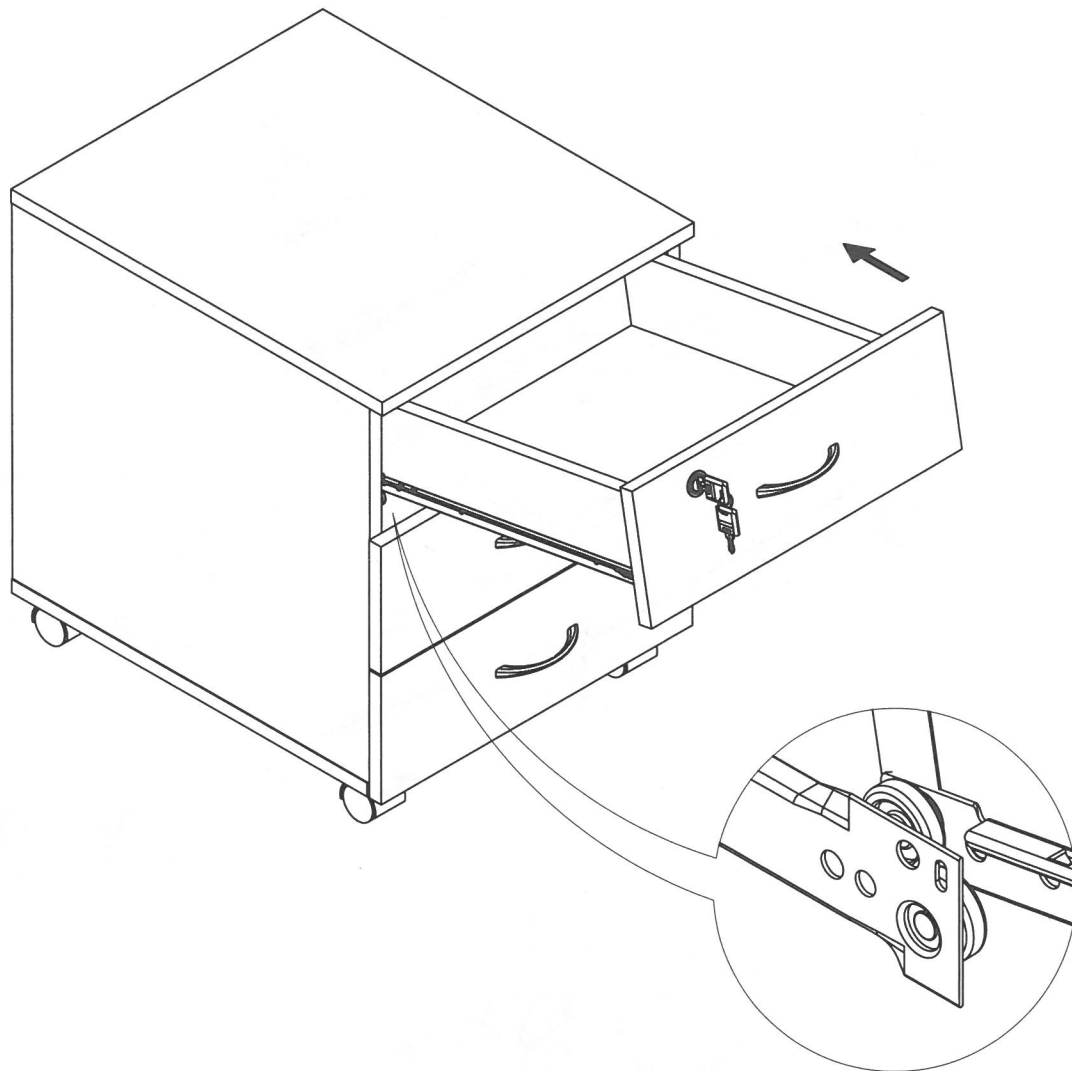
X 2

10:



X 2

11:



12:

